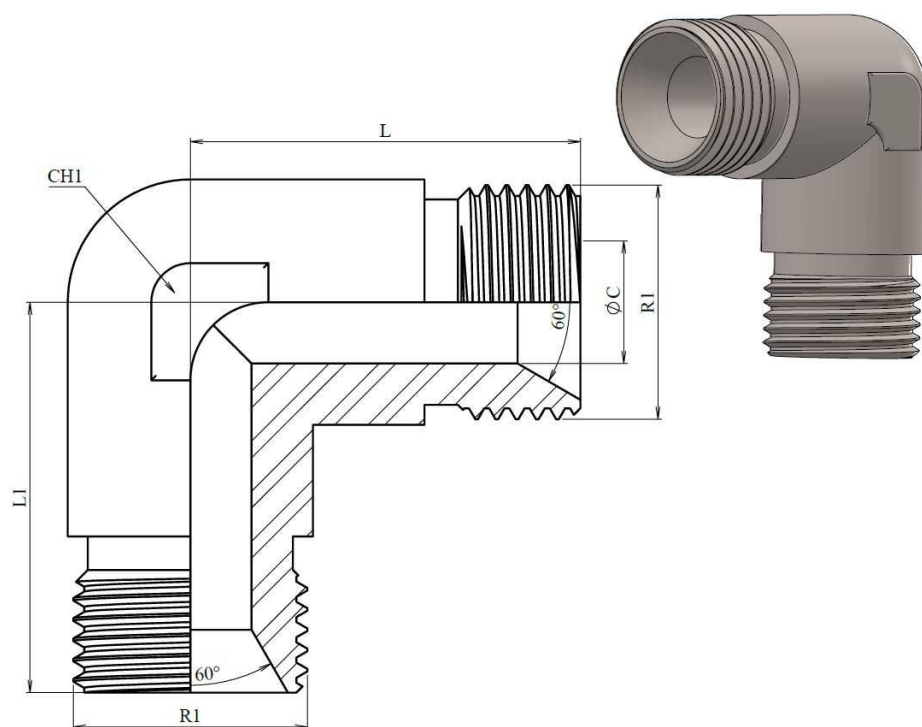


Adaptadores BSP

Codos en forja

## Codo 90º macho - macho BSP cono 60º

Acero Inoxidable AISI 316-L



Artículo	R1	R2	L	L1	CH1	ØC
<b>Z1190002</b>	1/8" BSP	1/8" BSP	20	20	10	3,5
<b>Z1190004</b>	1/4" BSP	1/4" BSP	26	26	14	6
<b>Z1190006</b>	3/8" BSP	3/8" BSP	30	30	17	8
<b>Z1190008</b>	1/2" BSP	1/2" BSP	35	35	22	11
<b>Z1190012</b>	3/4" BSP	3/4" BSP	44	44	28	16
<b>Z1190016</b>	1" BSP	1" BSP	45,5	45,5	36	22
<b>Z1190020</b>	1"1/4 BSP	1"1/4 BSP	52	52	46	28,5
<b>Z1190024</b>	1"1/2 BSP	1"1/2 BSP	60	60	50	32